

CS315-02 Lab Processor Design Data Memory Debugging

Data Memory ld/sd lw/sw

Adding ~ test

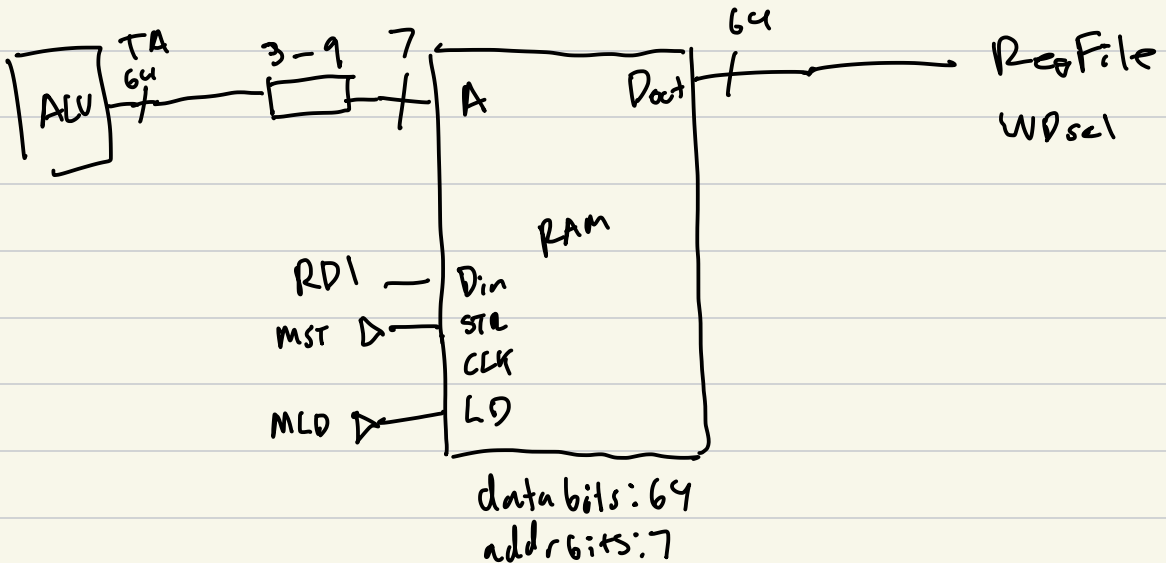
INUM to ASCII (Debugging)

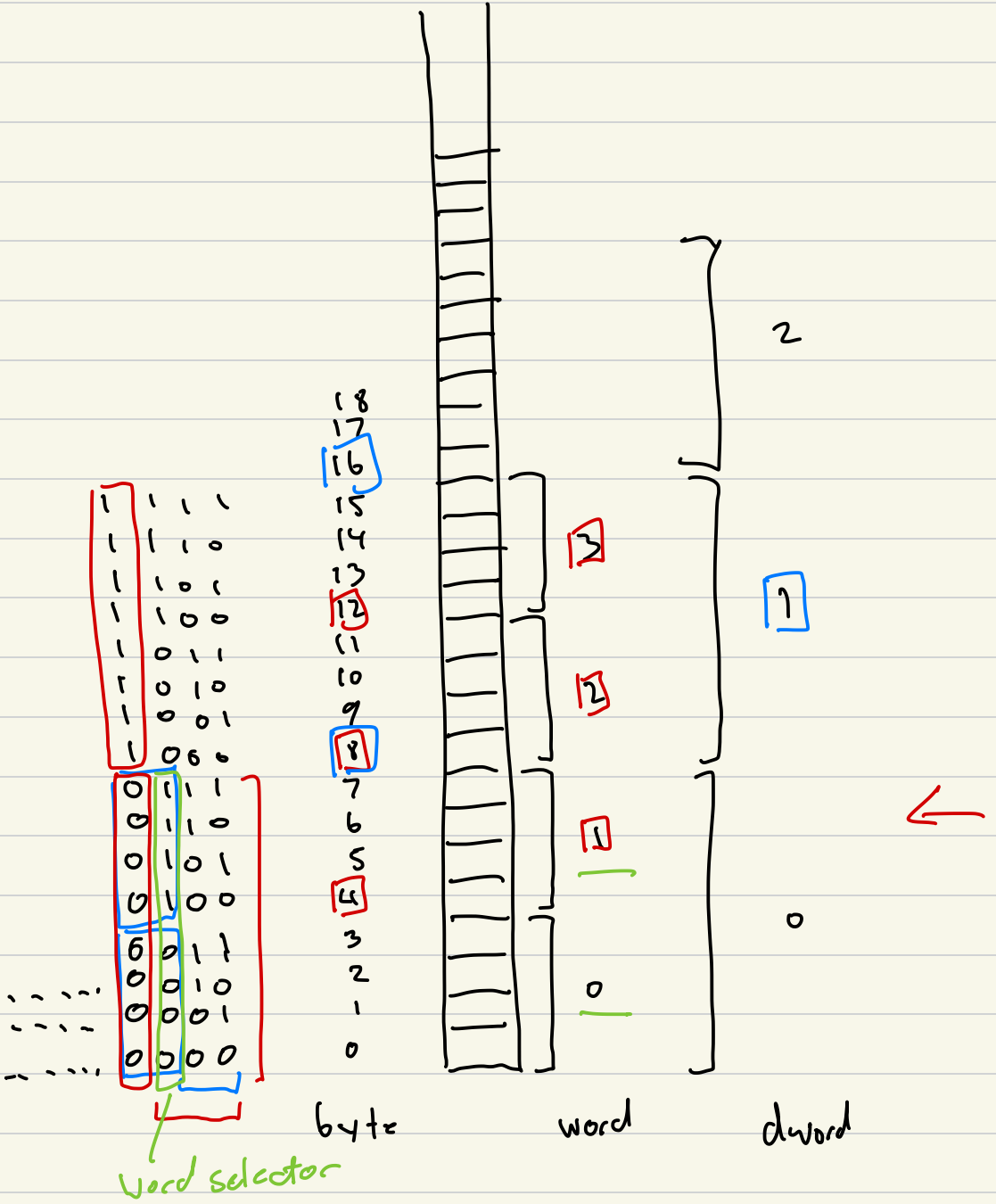
Data Memory

ld to, lb(sp)

TA = offset base

ld/sd

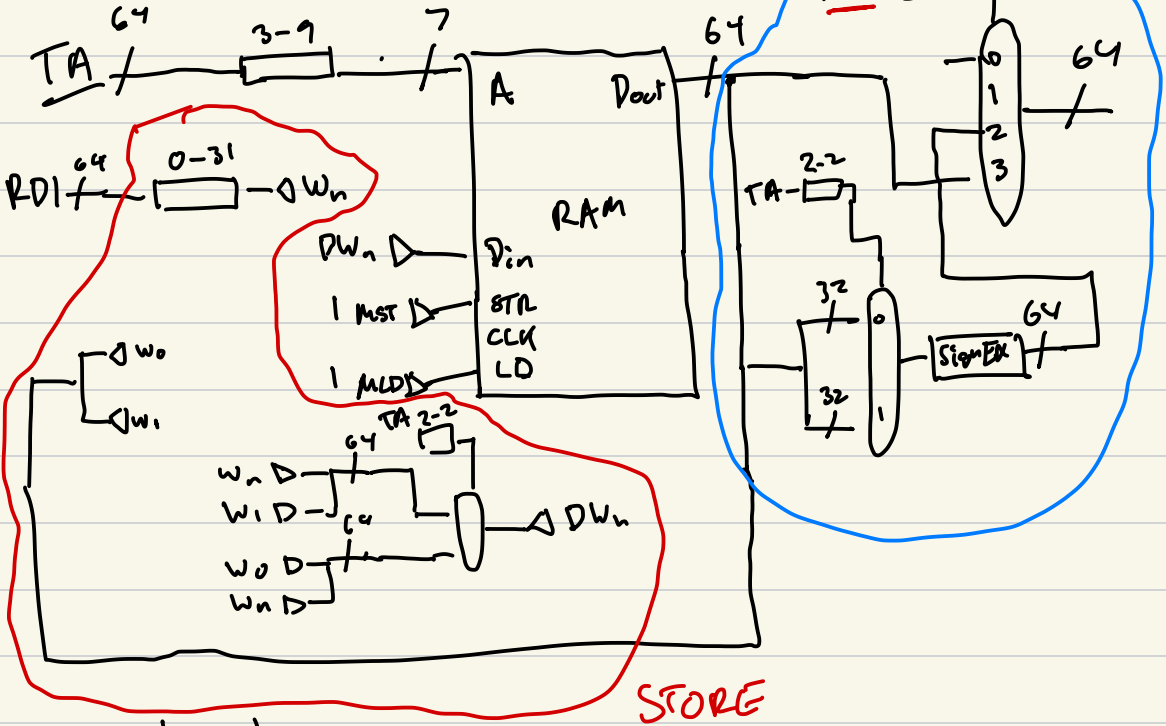




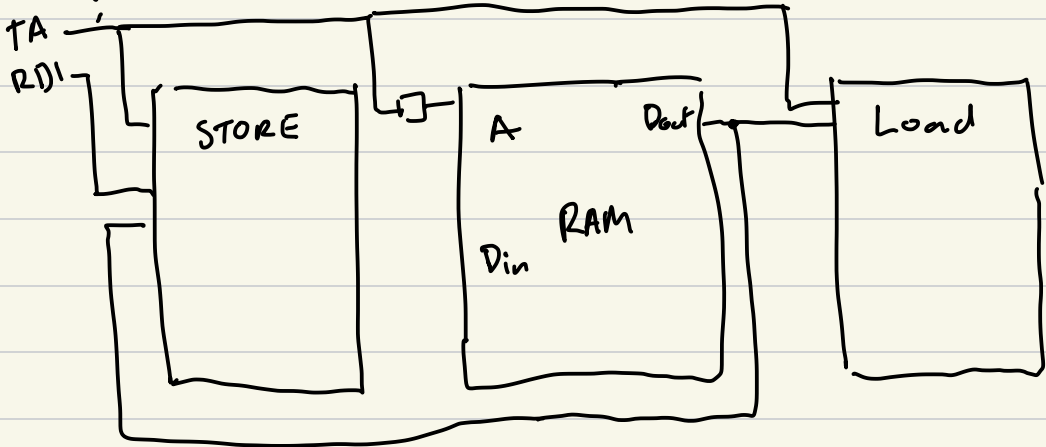
lw/sw

LOAD

- 0 byte
- 1 half
- 2 word
- 3 dword



Top Level



Tests

Foo.s